

Digital Signage Player

AMD Embedded G-Series Platform Signage Player

SI-18

NEW

Designed for Signage Solution



Features

- AMD G-series Dual-Core Processor
- Integrated 80 Core DirectX 11 GPU in Processor
- Support DDR3 1333MHz memory up to 4GB
- mPCIe(x1) slots for WiFi + Bluetooth options
- One RS232 serial port
- Cable-less and compact design

System

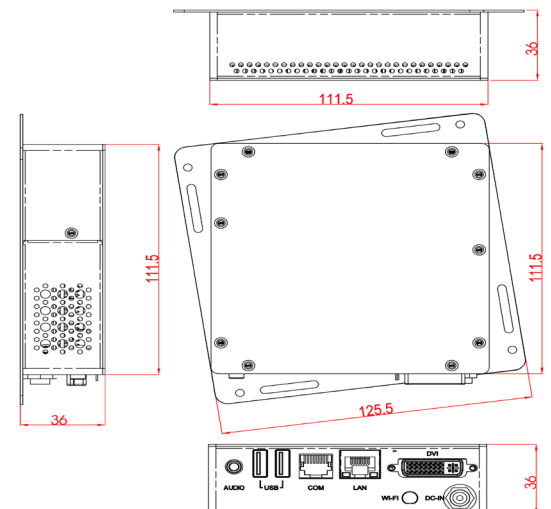
System Mainboard	EB900-16-SI
CPU Type	AMD G-Series Dual-Core APU (Accelerated Processing Unit): T56N=1.65GHz @ 18W TDP
CPU Package	413-BGA
Chipset	AMD A55M Controller Hub
Memory	DDR3-1333, Max. 4GB
Graphics	ATI Radeon HD6320 series graphics processing system integrated in APU <ul style="list-style-type: none"> • DirectX 11 • Direct Compute 11 • Open GL 4.0 • OpenCL 1.1 • UVD3 Hardware Video Decoder – MPEG2, MPEG4, H.264, VC-1, WMV9 • Hybrid-DVI connector supporting: CRT, DVI, or HDMI devices
LAN	1x Realtek RTL8111E PCI-E Gigabit LAN controller
Expansion Slots	1x mPCIe(x1) slots for WiFi + Bluetooth option board
I/O Interface	1x Hybrid-DVI (Supports CRT, DVI or HDMI) 2x USB 2.0 ports 1x RJ45 for Gigabit LAN 1x RJ45 for RS232 Serial Port 1x Microjack audio connectors for Line-in or Line-out
Watchdog Timer	256 segments, 0, 1, 2...255 (sec/min)
Power Requirement	+12V DC-in
Construction	Aluminum
Weight	0.8kg (1.76lbs)
Chassis Color	Black & White
Storage	1x 2.5" HDD drive bay
Power Supply	60W power adaptor
Mounting	Slim design with wall mounting holes
Dimensions	125.5mm(W) x 125.5mm(D) x 34mm(H)

Mechanical and Environmental

Operating Temperature	0°C ~ 40°C (32°F ~ 104°F)
Storage Temperature	-20° ~ 80°C (-4°F ~ 176°F)
Relative Humidity	5~90% @ 45°C, (non-condensing)
Vibration	SSD: 5 grms / 5~500Hz / random operation HDD: 0.25 grms / 5~500Hz / random operation

Ordering Information

SI-18	Signage System w/ AMD T56N APU 1.65GHz, 2GB RAM, 160GB HDD, 60W power adaptor
-------	---



Remarks:

* Specifications are subject to change without prior notice.